

1

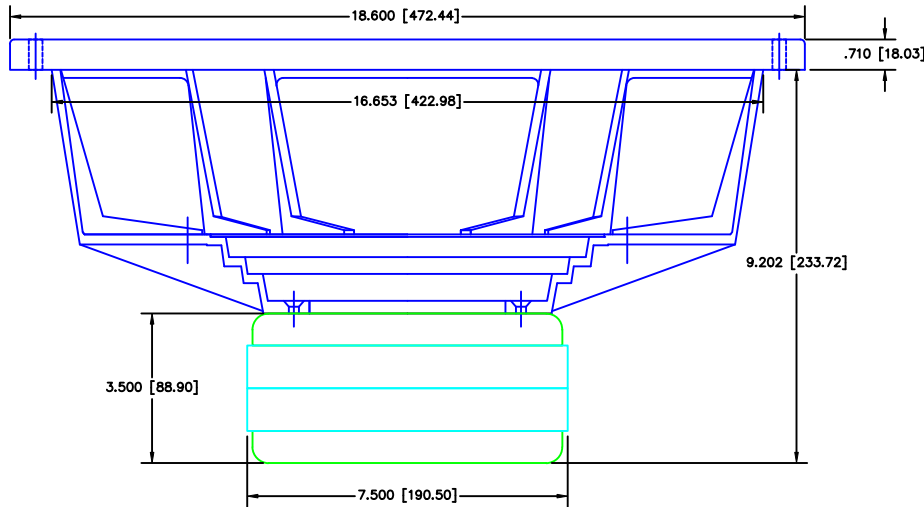
2

3

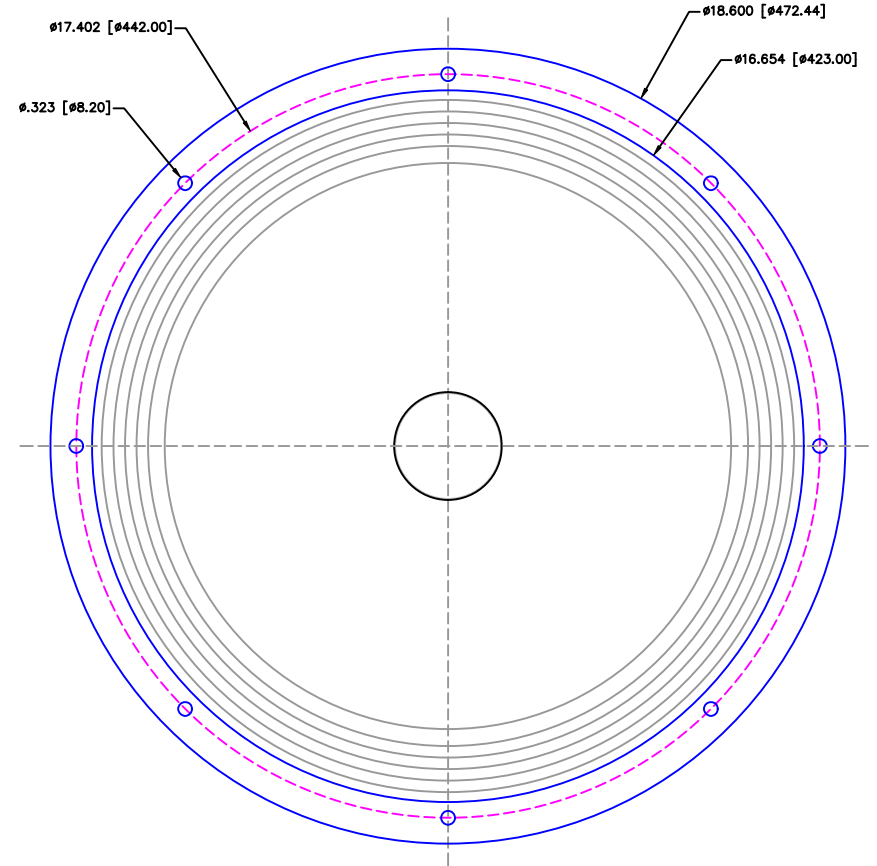
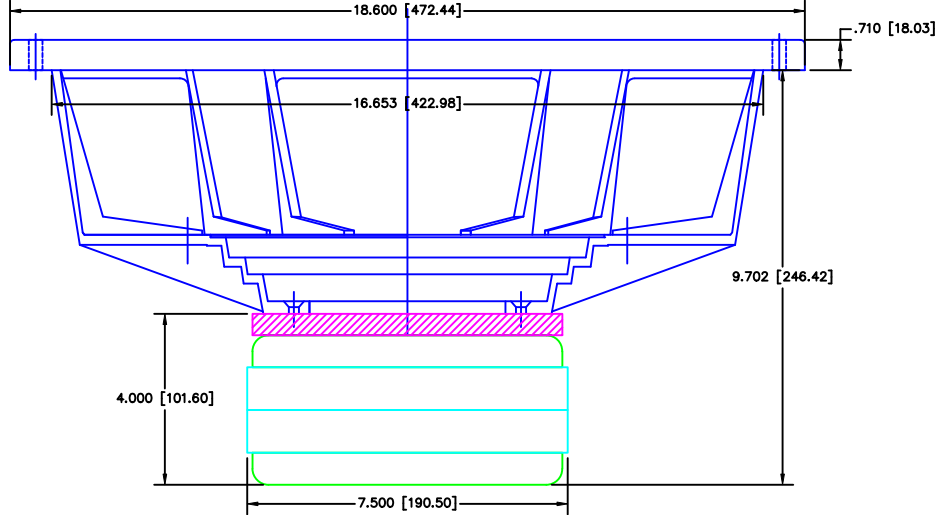
4

REVISIONS			
REV	DESCRIPTION	DATE	APPROVED
A	INITIAL DRAWING	06/11/20	J. JANOWITZ

STANDARD TD18H+



APOLLO OPTION TD18H+



CONTRACT NO.		1825 MILLS ST		GREEN BAY, WI 54302	
APPROVALS		DATE		TITLE	
DRAWN	J Janowitz	06/11/20		ACQUSTIC ELEGANCE, L.L.C.	
CHECKED	J Janowitz	06/11/20		775-258-1406 FAX	
ENGR	J Janowitz	06/11/20		TD18-dimensional	
DESIGN ACTIVITY	J Janowitz	06/11/20		TD18H+	
SCALE	1:1	CALC. WT	06/11/20	ACT. WT	SHEET 1 OF 1

1

2

3

4

D

C

B

A

D

C

B

A