

1

2

3

4

REVISIONS			
REV	DESCRIPTION	DATE	APPROVED
A	INITIAL DRAWING	08/19/08	J. JANOWITZ

D

D

C

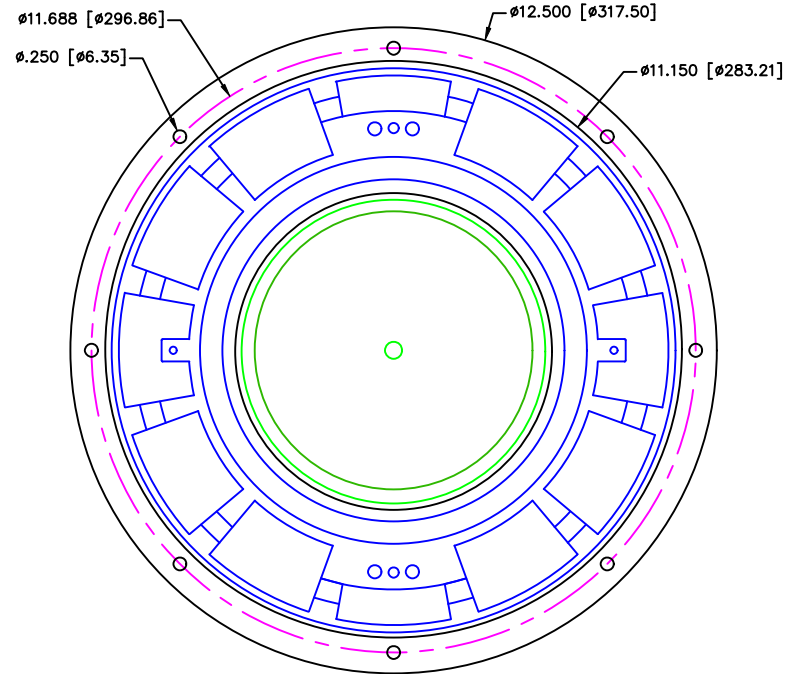
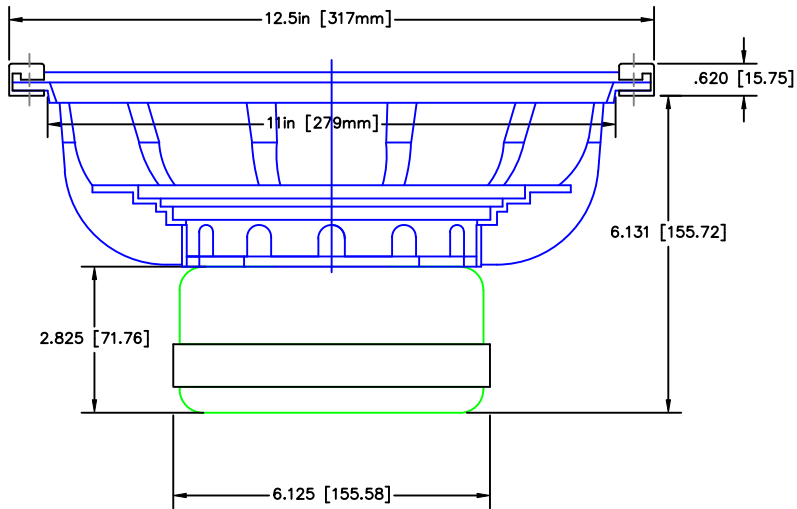
C

B

B

A

A



CONTRACT NO.		1825 MILLS ST		GREEN BAY, WI 54302	
APPROVALS		DATE		TITLE	
DRAWN M Stankiewicz		08/19/08		ACUSTIC ELEGANCE, L.L.C. 775-258-1406 FAX Dipole12 Dimensional	
CHECKED J Janowitz		08/19/08			
ENGR J Janowitz		08/19/08			
DESIGN ACTIVITY J Janowitz		08/19/08			
SCALE		1:1		DWG NO.	
SCALE		1:1		08/19/08	
SCALE		1:1		CALC. WT	
SCALE		1:1		ACT. WT	
SCALE		1:1		SHEET	
SCALE		1:1		1 OF 1	

1

2

3

4